

Pilot ID _____ **Espoirs Bekannte Pflicht** Flight # _____

No	Symbol	Cat. No.	K	Total K	Example marks:		Remarks	CHZ	Item	K	Grade	
					[7][5]	[0][0]						
					Zeros and Averages:							
					[H][Z]	[P][Z]	[A][V]					
1		1.6.3	10	10					Positioning	15		
									Harmony	10		
2		7.5.1	10	10					Fig K	Total K		
									122	147		
3		5.1.1	17	17					Penalties			
									Too Low			
									Disqual Fig			
									Too High			
									Outs			
									Interruptions			
									Insertions			
									Missed Slot			
									Trg Violation			
									Faulty Wing Rocks			
6		2.1.3	5	5								
7		1.12.1	13	13								
8		5.1.1	17	17								
9		8.1.1	13	13								
10		0.0	8	8								
11		2.1.1	6	6								

Judges Details	
Signature	
Name	
Number	





SM 2011

FORM B

Pilot ID #

Flight #

Espoirs Bekannte Pflicht

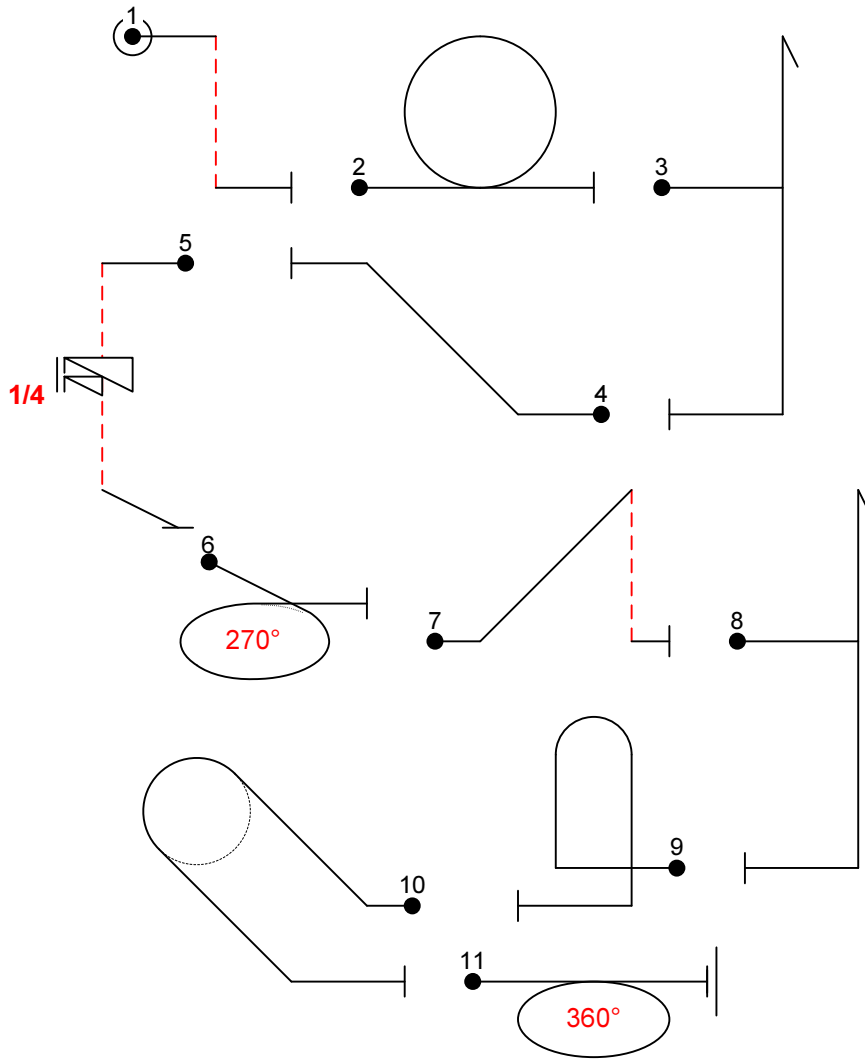
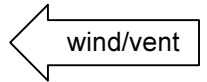


Fig 1	1.6.3	10	10
Fig 2	7.5.1	10	10
Fig 3	5.1.1	17	17
Fig 4	1.2.1	7	7
Fig 5	1.6.3 9.11.1.5	10 6	16
Fig 6	2.1.3	5	5
Fig 7	1.12.1	13	13
Fig 8	5.1.1	17	17
Fig 9	8.1.1	13	13
Fig 10	0.0	8	8
Fig 11	2.1.1	6	6
Total K = 122			



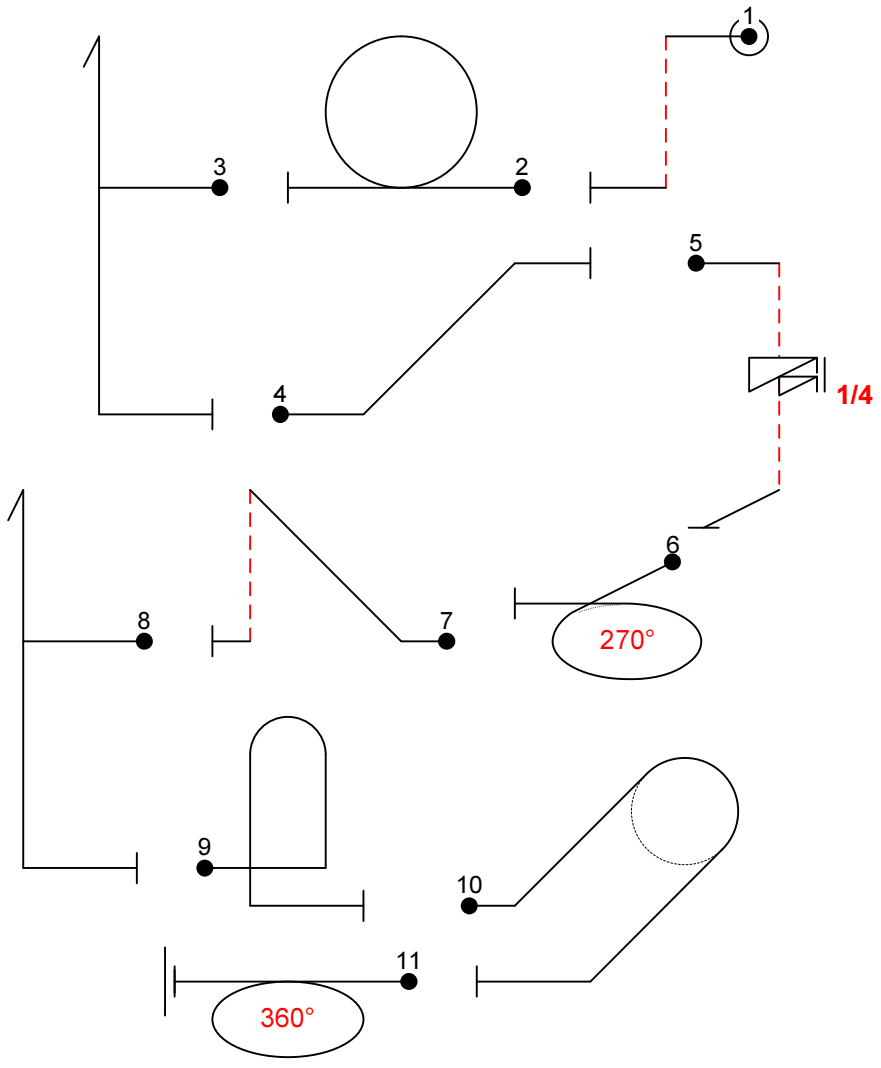
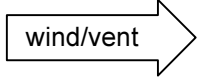
SM 2011

FORM C

Pilot ID #

Flight #

Espoirs Bekannte Pflicht



pilot

AC

